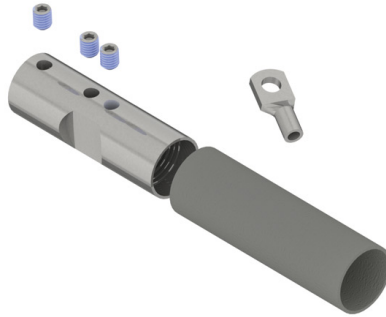


ISO_nV Insulated Round Conductors



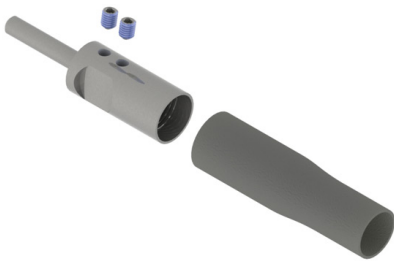
ISO_nV Insulated Conductor



ISO_nV Upper Termination Kit, Inside Mast



ISO_nV Upper Termination Kit, Outside Mast



ISO_nV Lower Termination Kit



ISO_nV Equipotential Bond Kit



ISO_nV Insulated Round Conductor Clamps and Accessories



ISO nV Insulated Round
Conductor Tools

WARNING

nVent products shall be installed and used only as indicated in nVent's product instruction sheets and training materials. Instruction sheets are available at www.erico.com and from your nVent customer service representative. Improper installation, misuse, misapplication or other failure to completely follow nVent's instructions and warnings may cause product malfunction, property damage, serious bodily injury and death and/or void your warranty.

© 2021 nVent All rights reserved

nVent, nVent CADDY, nVent ERICO, nVent ERIFLEX and nVent LENTON are owned by nVent or its global affiliates.

All other trademarks are the property of their respective owners. nVent reserves the right to change specifications without prior notice.